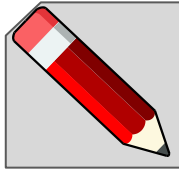


dr

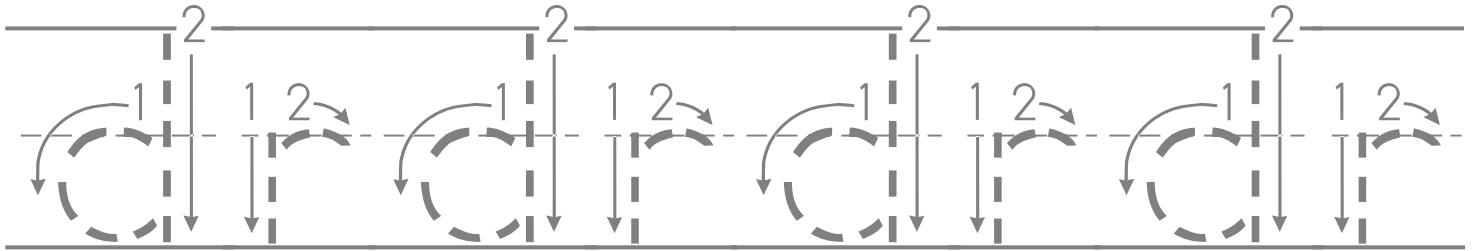
Name: \_\_\_\_\_

Class: \_\_\_\_\_

Date: \_\_\_\_\_



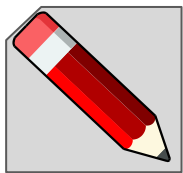
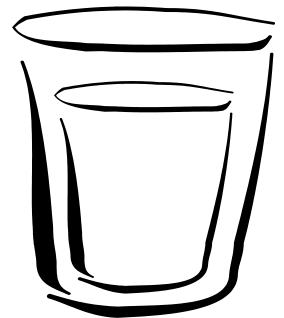
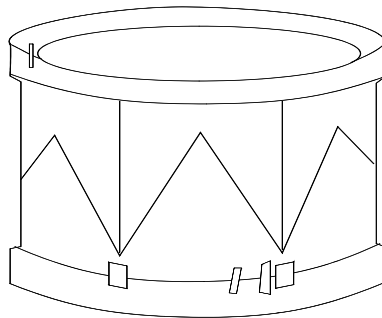
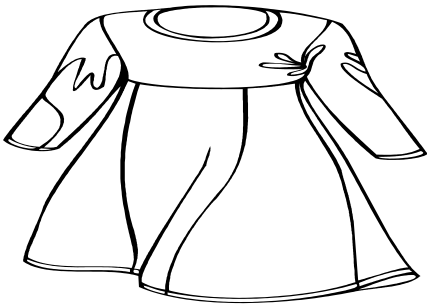
Trace the letters with a pencil or crayon. Complete the words. Colour the pictures. Say the name of the pictures.



\_\_ \_\_ **ess**

\_\_ \_\_ **um**

\_\_ \_\_ **ink**



Circle the **dr** word. Write the **dr** word.

g d r e s s **1.** \_\_\_\_\_

c l d r u m **2.** \_\_\_\_\_

d r i n k e **3.** \_\_\_\_\_